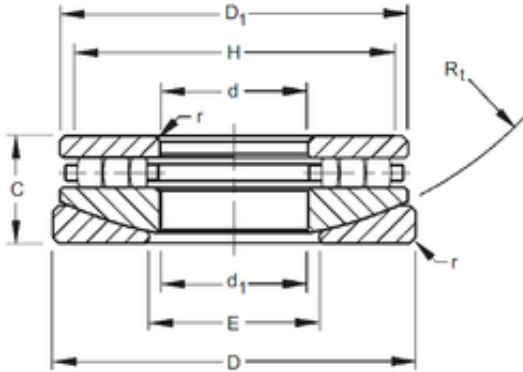




SMITH BEARING MEXICO LTD

Timken 120TPS153 Rolamentos de rolos



Bearing No. 120TPS153

Bore Diameter	304,8 mm
Outer Diameter	631,825 mm
d	304,8 mm
D	631,825 mm
r max	6,4 mm
d1	311,15 mm
C	152,4 mm
D1	607,22 mm
E	406,4 mm
H	584,2 mm
R	723,9 mm

120TPS153 Bearing 2D drawings and 3D CAD models