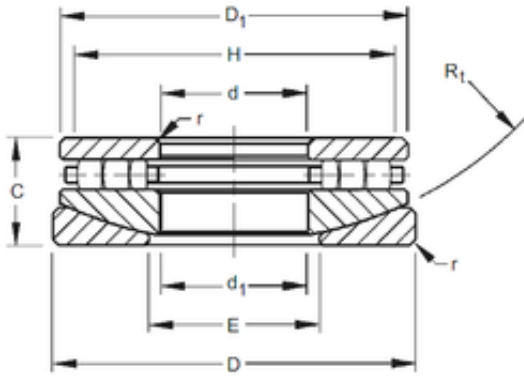




SMITH BEARING MEXICO LTD

Timken 100TPS143 Rolamentos de rolos



Bearing No. 100TPS143

Bore Diameter	254 mm
Outer Diameter	428,625 mm
d	254 mm
D	428,625 mm
r max	6,4 mm
d1	260,36 mm
C	101,6 mm
D1	404,02 mm
E	292,1 mm
H	387,4 mm
R	425,45 mm

100TPS143 Bearing 2D drawings and 3D CAD models