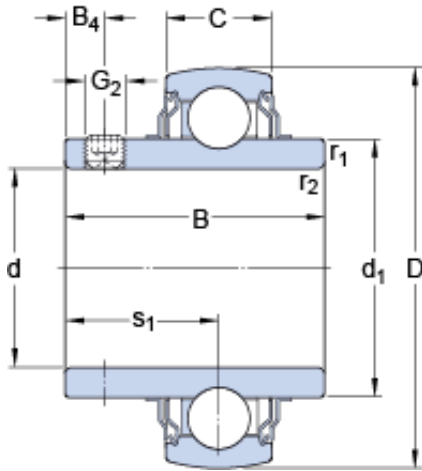




SMITH BEARING MEXICO LTD



40 mm x 80 mm x 49.2 mm SKF YAR
208-2FW/VA228 Rolamentos de esferas profundas

Bearing No. YAR 208-2FW/VA228

YAR 208-2FW/VA228 Bearing 2D drawings and 3D CAD models

Size	80x40x49.2 mm
Bore Diameter	80 mm
Outer Diameter	40 mm
Width	49,2 mm
d	40 mm
D	80 mm
B	49.2 mm
C	21 mm
d ₁	51.8 mm
B ₄	8 mm
s ₁	30.2 mm
r _{1,2} - min.	1 mm
Basic dynamic load rating - C	30.7 kN
Basic static load rating - C ₀	19 kN
Limiting speed	150 r/min
Limiting temperature - T	350 ° C
Mass bearing	0.55 kg
Grub (set) screw - G ₂	M8x1
Hexagonal key size for grub screw - H	4 mm
Category	Insert Bearings Spherical OD
Inventory	0.0
Manufacturer Name	SKF
Minimum Buy Quantity	N/A



SMITH BEARING MEXICO LTD

Weight / Kilogram	0.55
Product Group	M06110
Inner Race Profile	Wide Inner Ring
Outer Race Profile	Spherical
Relubricatable	No
Seal Type	M Seal
Mounting Method	Set Screw
Rolling Element	Ball Bearing
Snap Ring	No
Long Description	40MM Bore; Wide Inner Ring; Ball Bearing; 49.2MM Length Thru Bore; 21MM Outer Race Width; 80MM Outside Diameter; Not Relubricatable; M Seal Seal; Set Screw Mounting Method; No Snap Ring
Inch - Metric	Metric
Other Features	Single Row Medium Duty Grub Screw Hi-Temp Bearing With Graphite Technology Has Flinger Metric
Category	Insert Bearings
UNSPSC	31171536
Harmonized Tariff Code	8482.10.50.00
Noun	Bearing
Keyword String	Insert
Manufacturer URL	http://www.skf.com
Manufacturer Item Number	YAR 208-2FW/VA228
Weight / LBS	1.21
Bore	1.575 Inch 40 Millimeter
Length Thru Bore	1.937 Inch 49.2 Millimeter
Outer Race Width	0.827 Inch 21 Millimeter
Outside Diameter	3.15 Inch 80 Millimeter



SMITH BEARING MEXICO LTD

bore diameter:	40 mm
radial dynamic load capacity:	21 kN
outside diameter:	3.1496 in
radial static load capacity:	19 kN
inner ring width:	49.2 mm
bearing material:	Stainless Steel
bore type:	Round
finish/coating:	Zinc Plated
locking device:	Set Screw
seal type:	Contact with Flinger
operating temperature range:	-40 to +210 ° F
series:	YAR2
d_1	51.8 mm
B_4	8 mm
s_1	30.2 mm
$r_{1,2}$ min.	1 mm
Basic dynamic load rating C	30.7 kN
Basic static load rating C_0	19 kN
Limiting temperature T max.	350 ° C
Grub (set) screw G_2	M8x1
Hexagonal key size for grub screw N	4 mm
Recommended tightening torque for grub screw	6.5 N · m